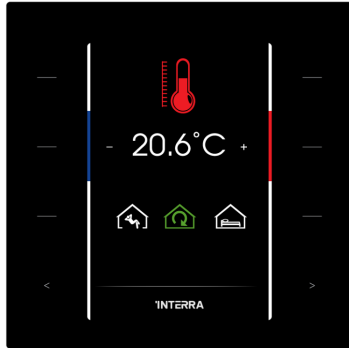


Interra Just Touch



Product Code	ITR32X-XXXX
Power Supply	KNX Power Supply
Power Consumption	0.6 W, 20 mA @ 30 V KNX Bus
Touch Buttons	2 buttons, 4 buttons, 8 buttons
Display	Full Touch : Touch screen + touch buttons Acrylic Touch : Touch buttons + non-touch screen
Sensors	Temperature Sensor (±0.2°C sensitivity) Humidity Sensor (±2 %RH sensitivity)
Interfaces	320 RGB x 480 Dots TFT LCD display
Commissioning Mode	S-Mode
Type of Protection	IP 20
Temperature Range	Operation (-10°C...70°C) Storage (-25°C...100°C)
Material	PC-ABS + Touch Layer
Colour	Buttons: Depends on models Back cover: Matte black
Dimensions	90 x 90 x 37 mm (W x H x D)
Certification	KNX Certified
Configuration	Configuration with ETS

DESCRIPTION

Interra justTouch is a complete room control device with a touch front panel and 3.5" colourful TFT screen. It performs all functions required for building automation such as lighting, shutter/blind control and DND as well as thermostat functions with its unique page structure. In the Interra justTouch user interface, there are 6 function pages other than the home page. Each page can be customized as desired by the users via ETS, and the button functions on each page can be adjusted according to need. In addition, button images and texts can be changed on ETS. Besides internal temperature and humidity sensors on Interra justTouch, external humidity, temperature and air quality information can be monitored via KNX. The product range has mainly 6 different models with full touch and acrylic touch functionality. All models can be programmable with the same ETS database, which provides efficient commissioning.

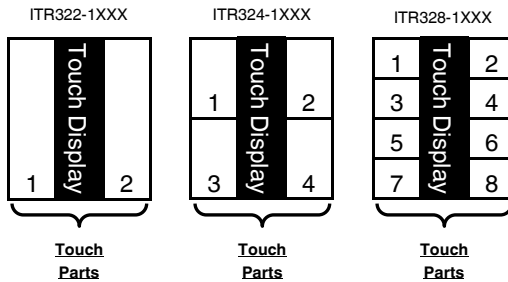
MODELS AND VARIATIONS

Coding Standard:

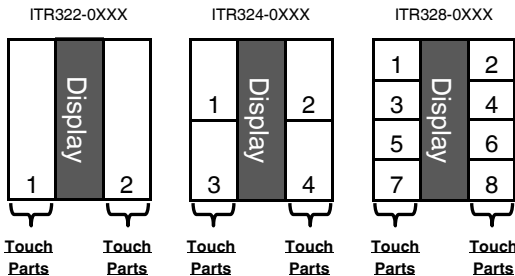
ITR 3 2 X - X X X
 ↓ ↓ ↓ ↓
 A B C D

- A** : Button count
- B** : Touch Type
- C** : Reserved
- D** : Colour

Models with Full Touch :



Models with Acrylic Touch :



MAIN FUNCTIONAL CHARACTERISTICS

- Pushbutton has Switching, toggle, dimming, shutter/blinds, thermostat controls, scenes, value, 2 channels, step switching mode features.
- All 6 models can be programmable with same database.
- Locking feature available for each button and complete device
- On/Off (2-points) and Proportional (Continuous or PWM) thermostat functions.
- Comfort, standby, economy and building protection operating modes.
- Manual or Automatic switching between Heating and Cooling modes.
- Temperature measuring through the integrated sensor with the possibility of sending the value on change and periodically to the bus.
- Temperature (measured, external, setpoint, outdoor values as °C), CO2 concentration (from the bus), humidity percentage, operating modes, fan levels, on/off indicators, warnings and locking status are displayed on the screen.
- Fan controller available with different speed indicators.
- Relative humidity measuring through the integrated sensor with the possibility of sending the value on the bus.
- Threshold alarm is defined for temperature, humidity and air quality levels.
- RGB LED control.

TFT LCD DISPLAY



Fig.1

The thermostat control screen of the Interra justTouch is shown in Figure 2. Setpoint control, switching between the operating modes, fan speed controls can be made. Also, indications such as temperature, CO₂ concentration, on/off, warnings can be monitored.

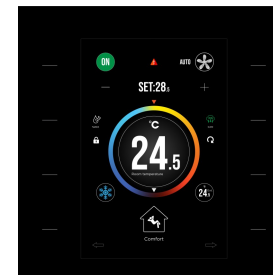
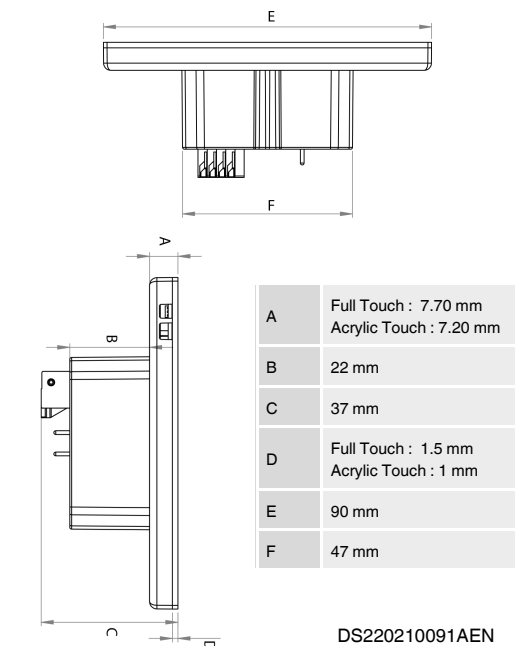


Fig.2

In full touch models, automation controls can be achieved by touching the icons on the screen and also by touch buttons located on the sides of the TFT LCD screen. However, in acrylic touch models, the icons on the screen are used as indicators. Control operations are provided by the touch buttons on the sides of the TFT LCD screen. The table below shows the various icons and their meanings on the justTouch.

Icon	Definition	Icon	Definition
	Lighting Control		Shutter/Blind Control
	Thermostat Control		Scene Control
	DND/MUR Control		General
	RGB Control		Settings Configuration
	Standby Mode		Comfort Mode
	Economy Mode		Building Protection

DIMENSIONS (mm)



CONNECTION TO KNX BUS AND PROGRAMMING

The connection of the KNX bus line is made with the terminal block (black/red) included in delivery and inserted into the slot of housing.

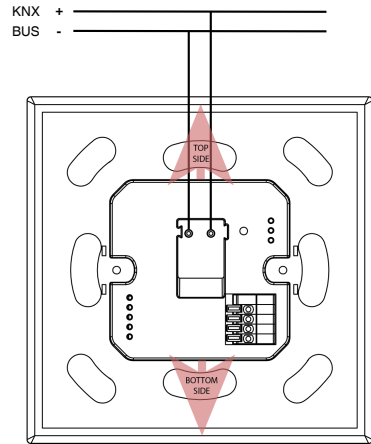


Fig.3

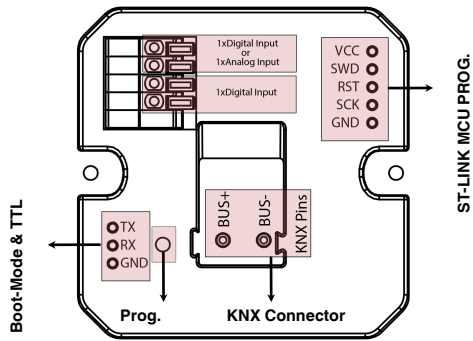


Fig.4

The connectors of Interra justTouch are shown in Fig.4. There are the following connectors on Interra justTouch : KNX connector, ST-Link MCU programming connector, analog/digital input connectors, programming mode button, Boot-Mode & TTL Com connector.

The KNX connector must be installed to operate Interra justTouch.

Besides, the device starts in boot mode if the programming button is pressed and holding, then energized. When the programming button is pressed while the device is energized, it switches to programming mode.

Moreover, firmware updates can be made via the ST-LINK MCU programming connector.

MOUNTING

Interra justTouch's mounting steps are described below. The procedures are described in 2 main sections : Mounting and demounting.

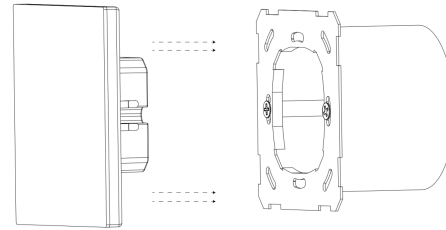


Fig.5

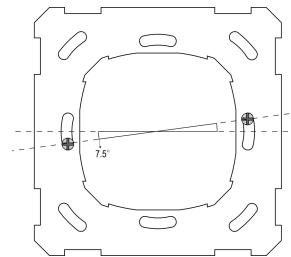


Fig.6

Note : There is a maximum deviation angle of 7.5 degrees for screwing the metal fastener (See Fig.6). The screwing position of the mounting box can be mounted with up to the maximum deviation of this angle.

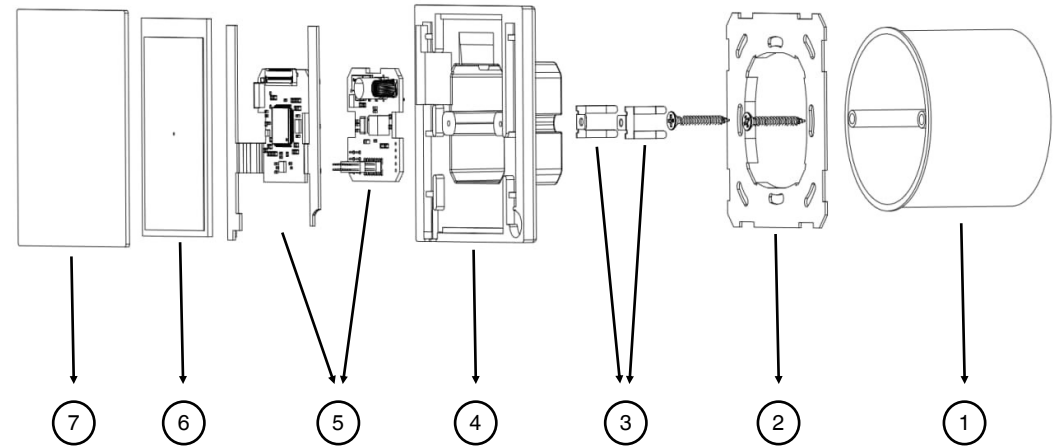
Mounting :

- First, the metal fastening apparatus is attached to the junction box with M3.5x20 mm screws with a maximum torque of 1.4 N.m.
- Second, KNX cable and input cables, if any, are attached to the relevant connectors on Interra justTouch.
- Finally, the justTouch is gently placed in the junction box with the top part (see Fig.3) facing up with holding the right and left sides of the justTouch and the mounting process is completed.

Demounting :

- First, hold the Interra justTouch from the right and left side and pull it back slightly
- Second, the KNX cable and, if any, input cables are removed over Interra justTouch.
- Finally, the screws of the metal fastening apparatus are removed from the junction box with a maximum torque of 1.4 Nm. and the demounting process is completed.

JUSTTOUCH COMPONENTS



Item No.	Part Name	Description	Qty.
1	Junction Box	Standard European junction box.	1
2	Junction Box Fastening Apparatus	Metal material mounting part in accordance with standards	1
3	Metal Fastening Springs	Compression spring piece into slot	2
4	Plastic Body	PC-ABS	1
5	PCBAs	FR4 PCB	2
6	LCD	320 RGB x 480 Dots TFT LCD display	1
7	Touch Panel or Acrylic Panel	Acrylic touch models can be controlled by touch feature with only buttons. The display does not have touch capability. Full touch models can be controlled with all region on the front panel.	1

SAFETY INSTRUCTIONS

- All Installations should only be performed by qualified personnel following applicable regulations on preventing accidents, as required by law.
- Do not connect the main voltage (230 V AC) or any other external voltages to any point of the KNX bus.
- Connecting an external voltage might put the KNX system at risk.
- Ensure that there is enough insulation between the 230 V AC voltage cables and the KNX bus.
- Do not expose this device to direct sunlight, rain or high humidity.
- Clean the product with a clean, soft, damp cloth.
- Do not use aerosol sprays, solvents or abrasives that might damage the device.

MARKS

CE: The device complies with Electromagnetic Compatibility Directive (2014/30/EU), Low Voltage Directive (2014/35/EU) and Restricting the Use of Hazardous Substances Directive (2011/65/EU).

Compliant Standards : EN 60669-2-1:2004+A1:2009+A12:2010, EN 50428:2005+A1:2007+A2:2009, EN 61000-6-1:2007, EN 60669-1:1999+A1:2002+A2:2008